



For swing gates with leafs up to 2.3 m, underground installation, ultra compact.

New irreversible electromechanical 24 Vdc gear motor, ideal for intensive use.

Tough and discreet: compact foundation box with a height of only 81 mm. Steel with cataphoresis paint finish guarantees optimal resistance to corrosion, and thickness of 2.5 mm guarantees strength. All this in just 52 mm of protrusion from the ground.

Practical and quick installation thanks to the exit lever on the gear motor attached directly on the leaf.

Opening up to 180° as standard.

Reliable and sturdy: the gear motor, in IP67 pressure die cast aluminium, suspended inside the housing to enable drainage of any deposits, ensures optimal water resistance.

Load-bearing foundation box with adjustable mechanical stops on opening and closing: the gear motor can also be installed later as required.

Practical release easy to operate from inside and outside, acting directly on the gear motor, easy to operate by means of the special key.

XME2024, compatible with the control unit Moonclever MC424L, and for operation with Solemyo systems.

- simple programming via a single key;
- memorisation of opening and closing limit positions in self-learning mode;
- pause time programming;
- pass door;
- deceleration on opening and closing;
- obstacle detection;
- provision for connection of latest generation sensitive edges;
- operation in event of power failure by means of optional rechargeable batteries (PS124) with compartment in control unit.

XME2124 with magnetic encoder, compatible with control unit Moonclever MC824H, with BlueBUS technology, and compatible for operation with Solemyo and Opera systems:

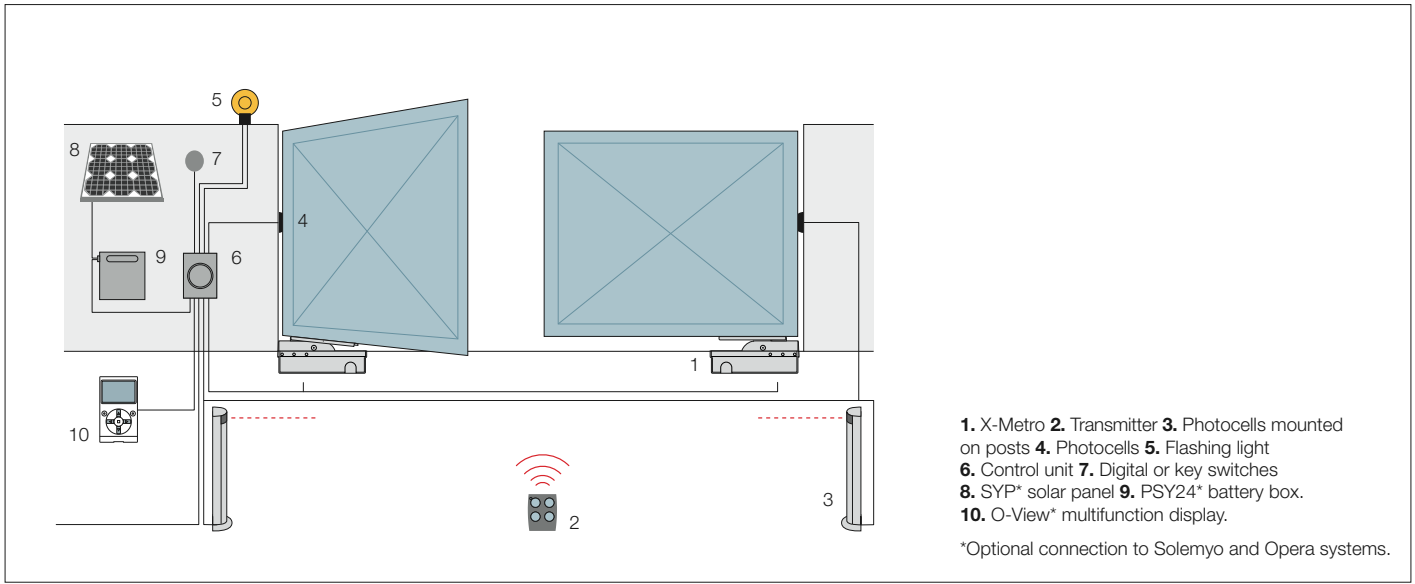
- simple programming via a single key;
- self-learning of opening and closing limit positions;
- automatic fault diagnostics;
- with output for courtesy light and maintenance indicator;
- speed settings on 5 levels;
- separate and configurable inputs for Step by Step, Open and Close;
- pause time programming;
- pass door;
- deceleration on opening and closing;
- obstacle detection with dual technology;
- provision for connection of latest generation sensitive edges;
- operation in event of power failure by means of optional rechargeable batteries (PS324) with compartment in control unit.

Code	Description	Pack/pallet
XME2024	Irreversible, 24 Vdc	18
XME2124	Irreversible 24 Vdc version with magnetic encoder	18
XMBOX	Externally chamfered foundation box, with cataphoresis paint finish. Complete with leaf coupling lever and mechanical stops on opening and closing	18

Technical specifications

Code	XME2024
Electrical data	
Power supply (Vdc)	24
Absorption (A)	5
Power (W)	120
Performance data	
Speed (Rpm)	1.25
Torque (Nm)	250
Work cycle (cycles/hour)	60
Dimensional and general data	
Protection level (IP)	67
Working temp. (°C Min/Max)	-20° ÷ +50°
Dimensions (mm)	235x206x96.5 h
Weight (kg)	6

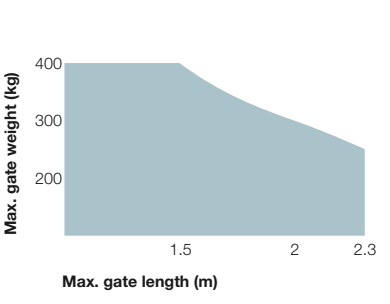
Nice recommends customers order products in pallets in order to facilitate storage and delivery, and ensure packs are uniform. The number of packs per single pallet has been specified for this reason. Approximate draft.



Accessories

PS124 24 V battery with integrated battery charger for MC424L. Pc/pack 1	PS324 24 V battery with integrated battery charger for MC824H. Pc/pack 1	PLA10 Vertical 12 V electric lock (required for gates longer than 3 m). Pc/pack 1	PLA11 Horizontal 12 V electric lock (required for gates longer than 3 m). Pc/pack 1	TS Signboard. Pc/pack 1

Utilisation limits



The shape, the height of the gate and the weather conditions can considerably reduce the values shown in the graph to the side.

Solemyo system



The solar power kit Solemyo to automate gates, garage doors or barrier gates, including those located far from the power mains and without the need for costly and invasive excavation work. See pages 180/181

Opera system



The innovative Opera system enables the installer to manage, program and control automation systems, also remotely, simply and safely, with significant savings in time. See pages 130/149

For swing gates
 For sliding gates
 Barrier gate operator systems
 For garage and industrial doors
 Control systems and accessories
 Nice Classics
 Alphabetic index



For swing gates with leafs up to 2.3 m, underground installation, ultra compact.
New irreversible electromechanical 24 Vdc gear motor.

Compatible for operation with Solemyo system.

Tough and discreet: compact foundation box with a height of only 81 mm. Steel with cathaphoresis paint finish guarantees optimal resistance to corrosion, and thickness of 2.5 mm guarantees strength. All this in a protrusion of just 52 mm from the ground.

Practical and quick installation thanks to the exit lever on the gear motor attached directly on the leaf.

Mechanical limit switches adjustable on opening and closing.

Opening up to 180° as standard.

Reliable and sturdy: the gear motor, in IP67 pressure die cast aluminium, suspended inside the housing to enable drainage of any deposits, ensures optimal water resistance.

Practical release from inside and outside, acting directly on the gear motor, easy to operate by means of the special key.

New Moonclever control unit MC424L:

- easy programming by pressing a single button;
- clutch with anti-crush safety feature;
- automatic memorization of limit switches on opening and closing with self-learning function;
- programming of pause time;
- pedestrian pass door;
- deceleration on opening and closing;
- obstacle detection;
- provision for connection of latest generation resistive sensitive edges;
- continues to work even during power failures using optional (PS124) batteries that fit inside the control unit.



The kit contains:

XME2024 2 gear motors. **XMBOX** 2 foundation boxes. **ON2** 1 transmitter 433.92 MHz, 2 channels. **MC424L** 1 control unit with OXl plug-in receiver. **MOF** 1 pair of photocells for outdoor installation. **MOSE** 1 key selector switch for outdoor installation. **ML24T** 1 flashing light with integrated aerial. **TS** 1 signboard.

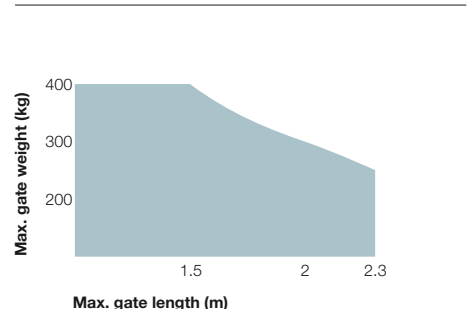
Code	Description	Pack/pallet
XMETRO2024KCE	Kit for swing gates with leafs up to 2.3 m, 24 Vdc, underground installation	12

N.B. The content of the package may vary: consult the retailer.

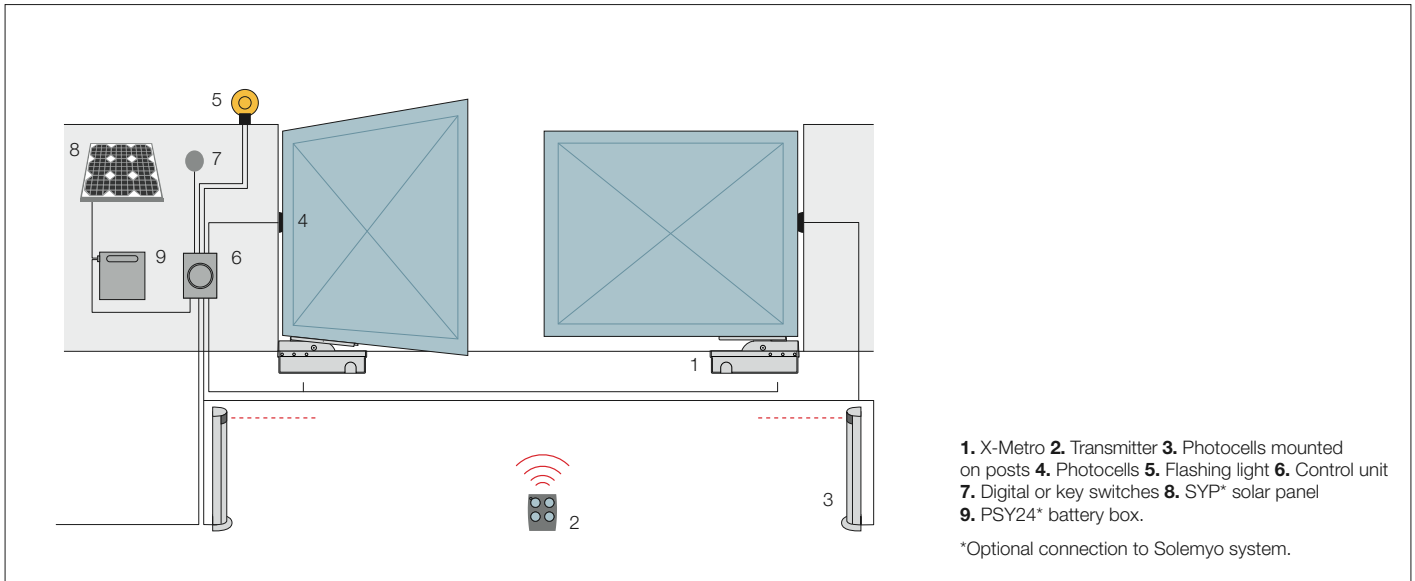
Technical specifications

Code	XME2024
Electrical data	
Power supply (Vdc)	24
Absorption (A)	5
Power (W)	120
Performance data	
Speed (Rpm)	1.25
Torque (Nm)	250
Work cycle (cycles/hour)	60
Dimensional and general data	
Protection level (IP)	67
Working temp. (°C Min/Max)	-20° ÷ +50°
Dimensions (mm)	235x206x96.5 h
Weight (kg)	6

Utilisation limits



The shape, the height of the gate and the weather conditions can considerably reduce the values shown in the graph to the side.



Accessories



PS124
24 V battery with integrated battery charger.
Pc/pack 1



PLA10
Vertical 12 V electric lock (required for gates longer than 3 m).
Pc/pack 1



PLA11
Horizontal 12 V electric lock (required for gates longer than 3 m).
Pc/pack 1

Solemyo system



The solar power kit Solemyo to automate gates, garage doors or barrier gates, including those located far from the power mains and without the need for costly and invasive excavation work.
See pages 180/181



XME2124



For swing gates with leafs up to 2.3 m, underground installation, ultra compact.

New irreversible electromechanical gear motor 24 Vdc with magnetic encoder.

Compatible for operation with Solemyo and Opera systems.

Tough and discreet: compact foundation box with a height of only 81 mm. Steel with cathaphoresis paint finish guarantees optimal resistance to corrosion, and thickness of 2.5 mm guarantees strength. All this in a protrusion of just 52 mm from the ground.

Practical and quick installation thanks to the exit lever on the gear motor attached directly on the leaf.

Mechanical limit switches adjustable on opening and closing.

Opening up to 180° as standard.

Reliable and sturdy: the gear motor, in IP67 pressure die cast aluminium, suspended inside the housing to enable drainage of any deposits, ensures optimal water resistance.

Practical release from inside and outside, acting directly on the gear motor, easy to operate by means of the special key.

Control unit Moonclever MC824H, with BlueBUS technology:

- simple programming, by means of a single key;
- self-learning of opening and closing limit positions;
- automatic fault diagnostics;
- programming of pause time;
- pedestrian pass door;
- deceleration on opening and closing;
- obstacle detection with dual technology;
- operation in event of power failure by means of optional rechargeable batteries (PS324);
- provision for connection of latest generation resistive sensitive edges.

ON2 	MC824H 	MOFB
MOSE 	MLBT 	TS

The kit contains:

XME2124 2 gear motors. **XMBOX** 2 foundation boxes. **ON2** 1 transmitter 433.92 MHz, 2 channels. **MC824H** 1 control unit with OXI plug-in receiver. **MOFB** 1 couple of external photocells designed for connection by Nice BlueBUS. **MOSE** 1 key selector switch for outdoor installation. **MLBT** 1 flashing light with integrated aerial. **TS** 1 signboard.

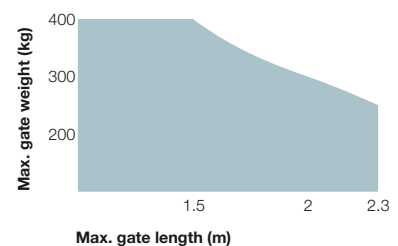
Code	Description	Pack/pallet
XMETRO2124KCE	Kit for swing gates with leafs up to 2.3 m, 24 Vdc, underground installation	12

N.B. The content of the package may vary: consult the retailer.

Technical specifications

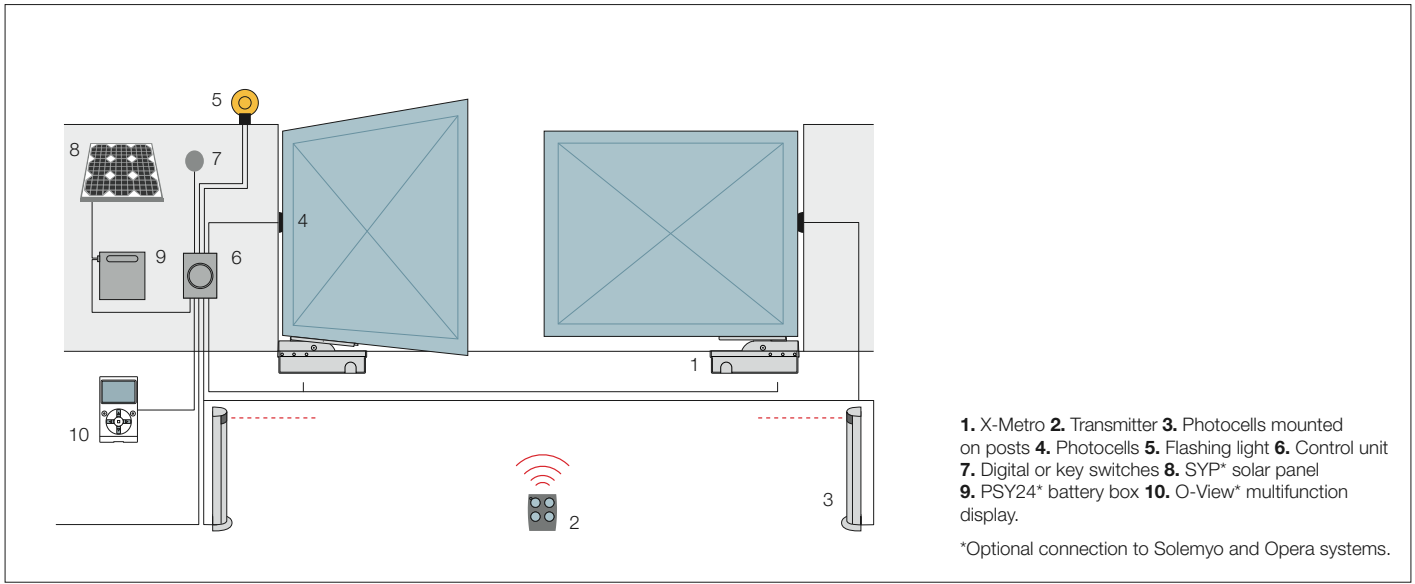
Code	XME2124
Electrical data	
Power supply (Vdc)	24
Absorption (A)	5
Power (W)	120
Performance data	
Speed (Rpm)	1.25
Torque (Nm)	250
Work cycle (cycles/hour)	60
Dimensional and general data	
Protection level (IP)	67
Working temp. (°C Min/Max)	-20° ÷ +50°
Dimensions (mm)	235x206x96.5 h
Weight (kg)	6

Utilisation limits



The shape, the height of the gate and the weather conditions can considerably reduce the values shown in the graph to the side.

Nice recommends customers order products in pallets in order to facilitate storage and delivery, and ensure packs are uniform. The number of packs per single pallet has been specified for this reason. Approximate draft.



Accessories



PS324
24 V battery with integrated battery charger.
Pc/pack 1



PLA10
Vertical 12 V electric lock (required for gates longer than 3 m).
Pc/pack 1



PLA11
Horizontal 12 V electric lock (required for gates longer than 3 m).
Pc/pack 1

Solemyo system



The solar power kit Solemyo to automate gates, garage doors or barrier gates, including those located far from the power mains and without the need for costly and invasive excavation work.
See pages 180/181

Opera system



The innovative Opera system enables the installer to manage, program and control automation systems, also remotely, simply and safely, with significant savings in time.
See pages 130/149



For swing gates
For sliding gates
Barrier gate operator systems
For garage and industrial doors
Control systems and accessories
Nice Classics
Alphabetic index